



High Performance, Constant Current Switching Regulator For 8PCS White LED In Series

ELP3322

General Description

The ELP3322 is a 1MHz PWM boost switching regulator designed for constant-current white LED driver applications. The ELP3322 can drive a string of up to 8 white LEDs in series, ensuring uniform brightness and eliminating several ballast resistors. The ELP3322 implements a constant frequency 1MHz PWM control scheme. The high frequency PWM operation also saves board space by reducing external component sizes. To improve efficiency, the feedback voltage is set to 200 mV, which reduces the power dissipation in the current setting resistor.

Features

- ◆ High Efficiency: 92%
- ◆ 1MHz Fixed-Frequency PWM Operation
- ◆ Maximum Output Voltage up to 29V
- ◆ Operating Range : 2.2V to 5.5V
- ◆ Shutdown Supply Current: <1uA
- ◆ Available in SOT23-6 Package
- ◆ Built-in 29V Over Voltage Protection
- ◆ Minimize the External Component
- ◆ RoHS Compliant and 100% Lead (Pb)-Free

Applications

- ◆ WLED Backlight driver
- ◆ OLED Backlight driver
- ◆ PDA
- ◆ MID/PTV

Ordering Information

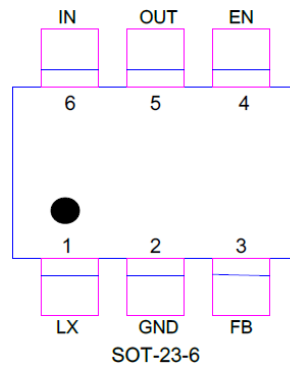
ELP3322NN XX X
| | | R : Tape & Reel
B3 : SOT23-6

Device	Marking	Package	Shipping
ELP3380NNB3R	LPS FhYWX	SOT23-6	3K/REEL
Y: Production year W: Production week X: Production batch			

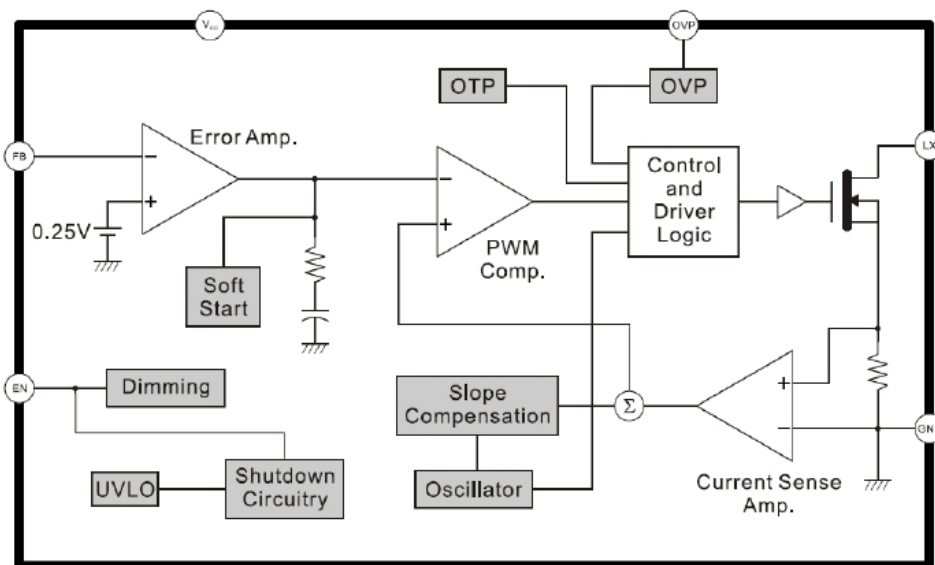
Pin Description

Pin	Name	Description
1	SW	Switch Pin. Connect this Pin to inductor and catch diode. Minimize the track area to reduce EMI.
2	GND	Ground Pin
3	FB	Feedback Reference Voltage Pin. Series connect a resistor between WLED and ground as a current sense. Sense the current feedback voltage to set the current rating.
4	EN	Chip Enable (Active High). Voltage sensing input to trigger the function of over voltage protection. Note that this pin is high impedance. There should be a pull low 100kΩ resistor connected to GND when the control signal is floating.
5	OVP	Over voltage pin.
6	Vin	Supply Input Voltage Pin. Bypass 10uF capacitor to GND to reduce the input noise.

Pin Configurations



Function Block Diagram



Absolute Maximum Ratings

- ◆ Input Voltage to GND ----- -0.3V to 6.0V
- ◆ LX /OVP Voltage to GND ----- -0.3V to 35V
- ◆ Other Pin to GND ----- -0.3V to 5.5V
- ◆ Maximum Junction Temperature ----- 125 °C
- ◆ Storage Temperature Range ----- -65°C to 150°C
- ◆ Operating Ambient Temperature Range (Ta) ----- -20°C to 85°C
- ◆ Maximum Soldering Temperature (at leads, 10 sec) ----- 260 °C

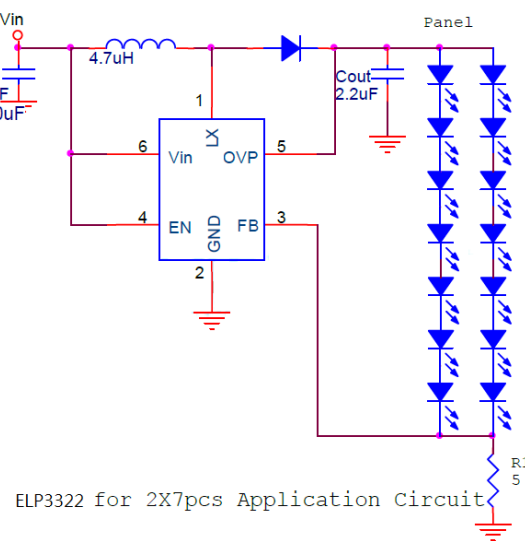
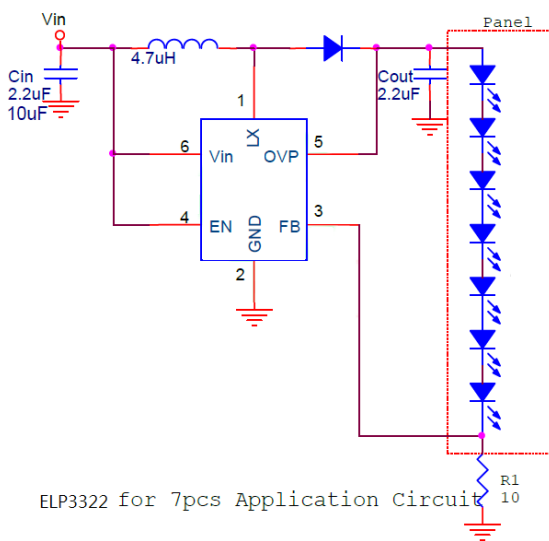
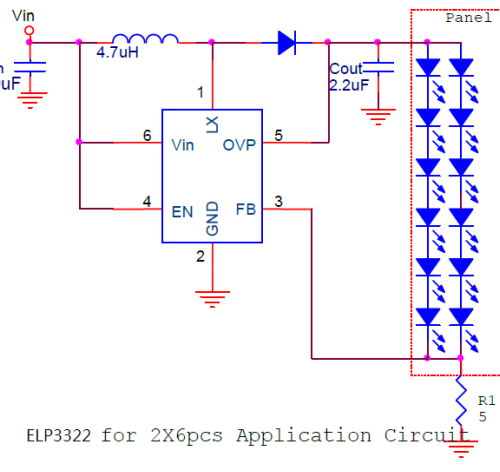
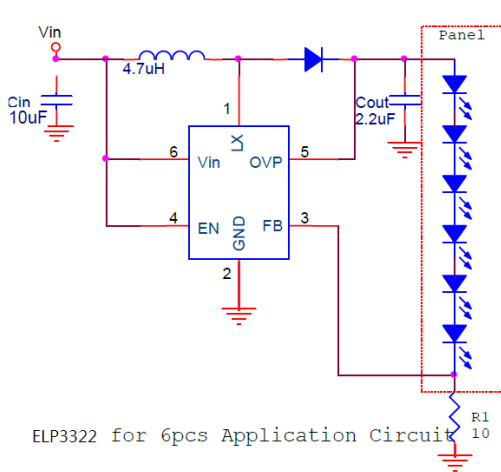
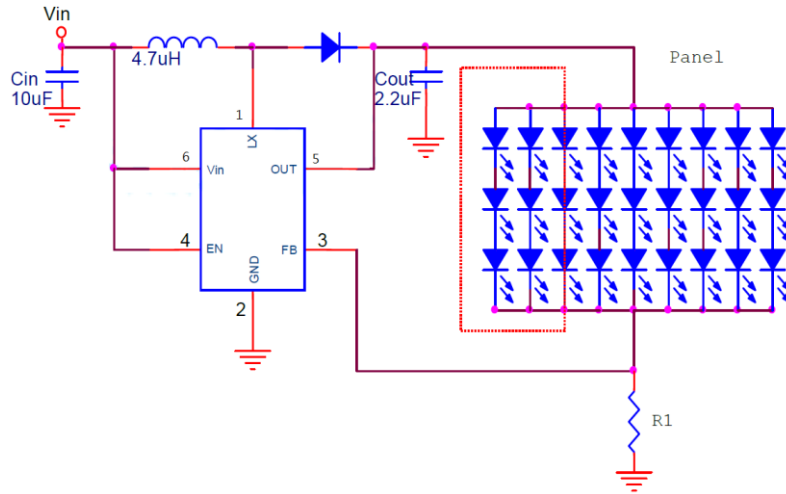
Thermal Information

- ◆ Maximum Power Dissipation (SOT23-6, PD, TA=25°C) ----- 0.45W
- ◆ Thermal Resistance (SOT23-6, JA) ----- 250°C/W

ESD Susceptibility

- ◆ HBM(Human Body Mode) ----- 2KV
- ◆ MM(Machine Mode) ----- 200V

Typical Application Circuit





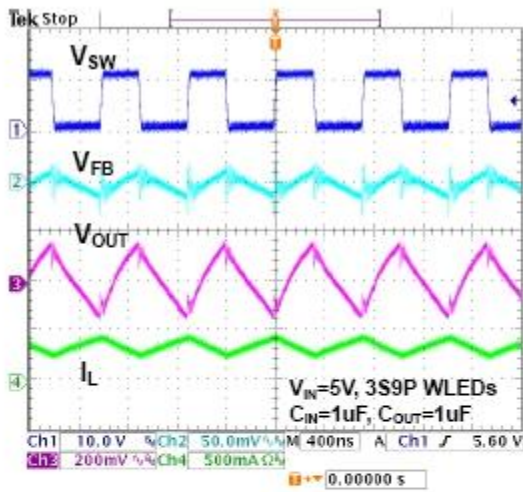
High Performance, Constant Current Switching Regulator For 8PCS White LED In Series

ELP3322

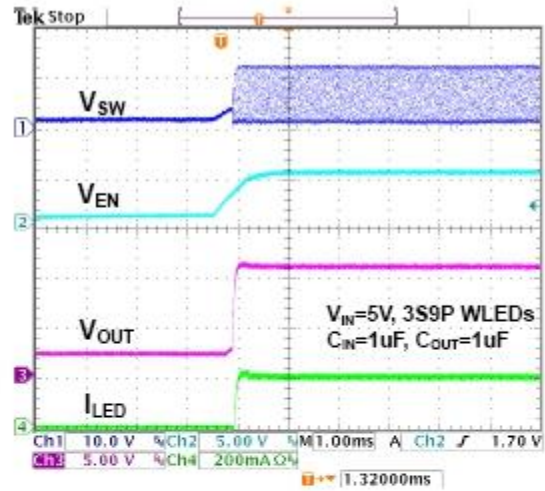
Electrical Characteristics

Parameter	Symbol	Test Condition	Min	Typ.	Max	Units
System Supply Input						
Operation voltage Range	VDD		2.2		5.5	V
Under Voltage Lock Out	VDD		1.5	1.8	2.1	V
Supply Current	IDD	FB=0.25V,no Switch		450	550	uA
Shut Down Current	IDD	VEN < 0.4V		0.1	1	uA
Line Regulation		VIN : 3.0~4.3V		2		%
Oscillator						
Operation Frequency	FOSC			1		MHz
Maximum Duty Cycle			93			%
Feedback Voltage	ELP3322		185	200	215	mV
Precision of VFB	ELP3322			2		%
MOSFET						
On Resistance of MOSFET	RDS(ON)			0.3	0.4	Ω
SW Current Limit	ILM		1.8	2		A
Protection						
OVP Threshold	VOVP		27	29	31	V
OVP Sink Current				5		μA
Shut Down Voltage	VEN				0.4	V
Enable on Voltage	VEN		1.4			V
PWM EN Dimming range			100		300K	Hz
VFB with PWM EN Dimming		Duty cycle is 7% @7s3p	1	6	10	mV

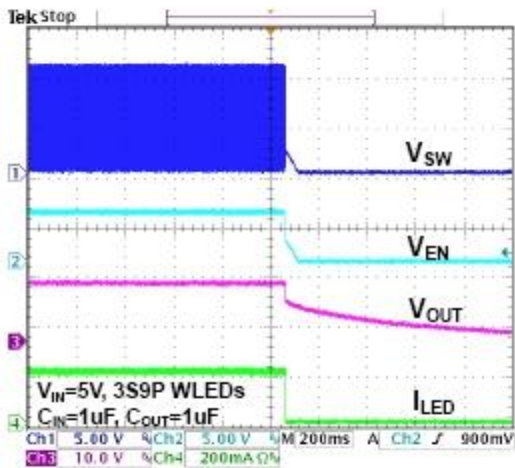
Typical Operating Characteristics



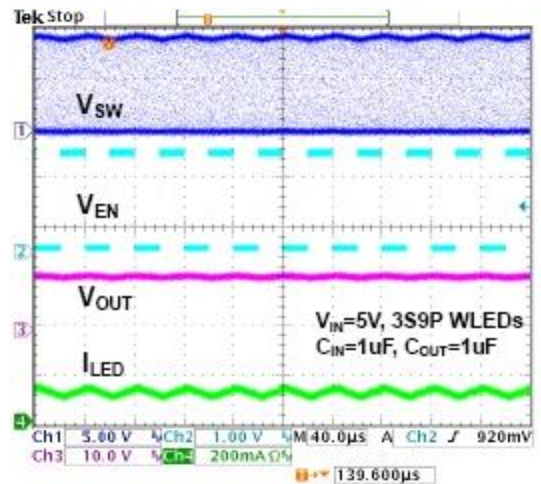
Switch waveforms



Enable Startup Response Waveforms



Enable Shutdown Response Waveforms



PWM Dimming Response Waveforms at a frequency of 25kHz

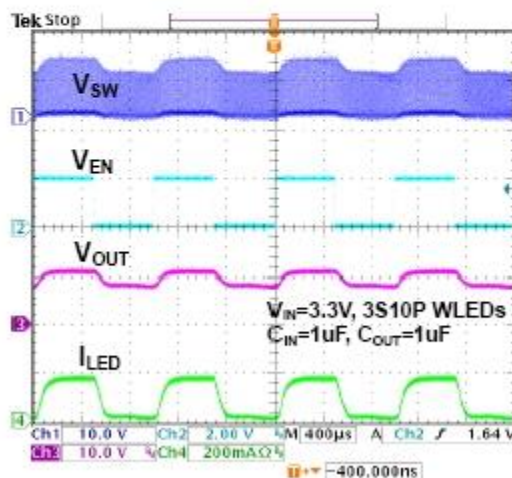
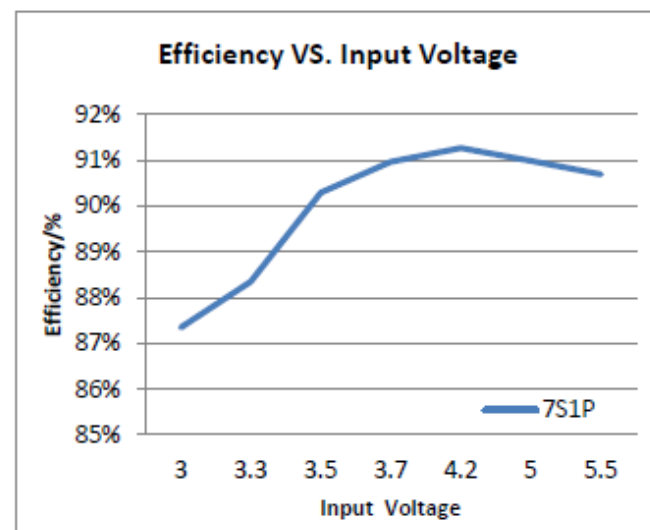
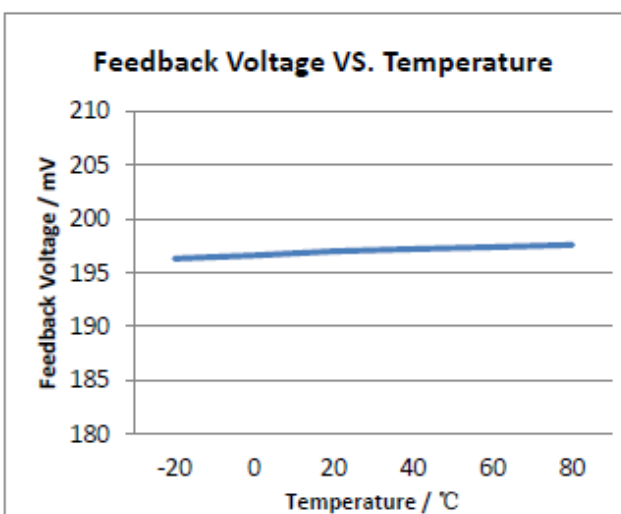
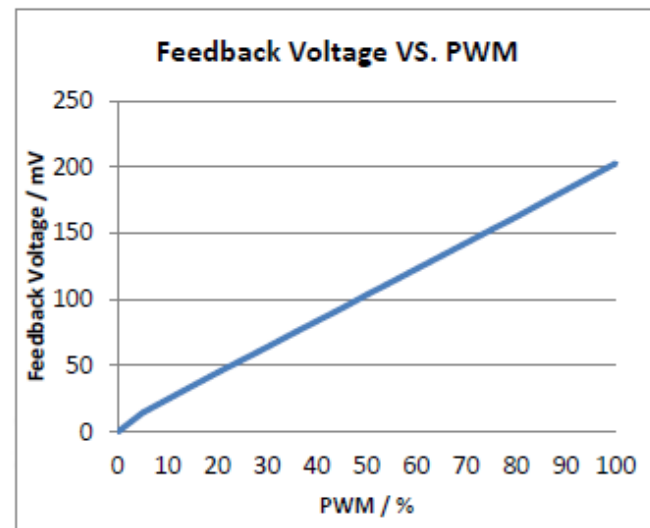
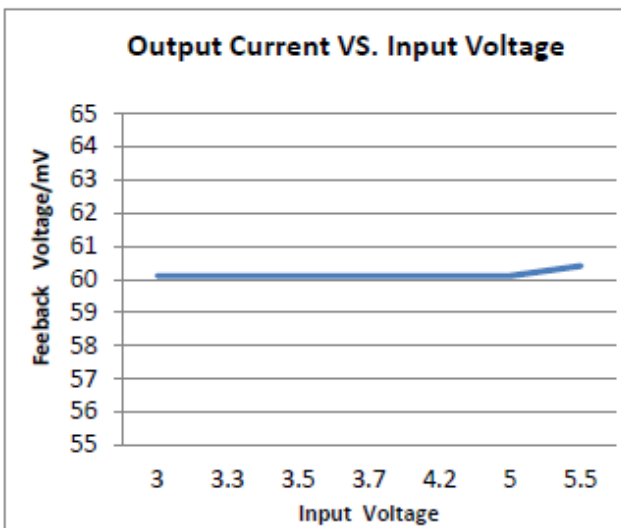
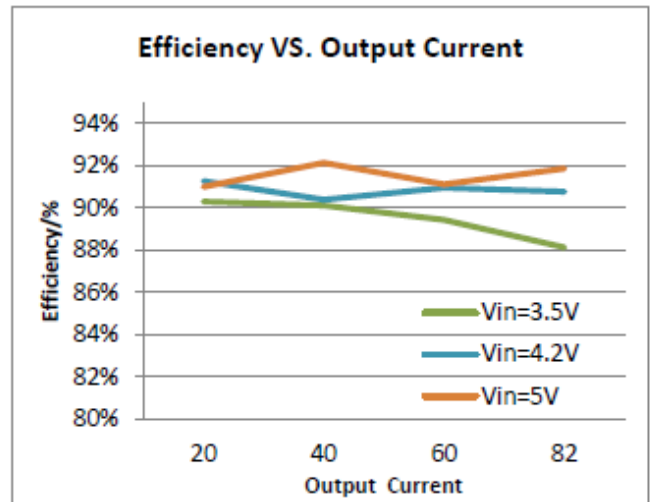
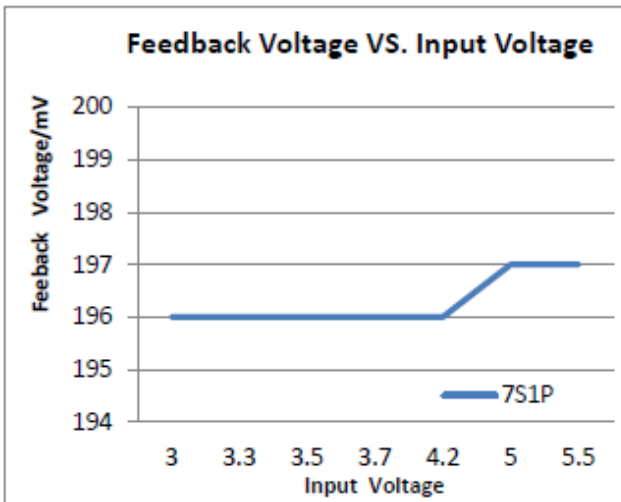


Figure 8. PWM Dimming Response Waveforms at a frequency of 1kHz



Applications Information

LED Current Control

The ELP3322 regulates the LED current by setting the current sense resistor (R1) connecting to feedback and ground. The internal feedback reference voltage is 200mV. The LED current can be set from following equation easily.

$$I_{LED} = 200\text{mV} / R1$$

In order to have an accurate LED current, precision resistors are preferred (1% is recommended). The table for R1 selection is shown below.

Power Sequence

In order to assure the normal soft start function for suppressing the inrush current the input voltage should be ready before EN pulls high.

Soft-Start

The function of soft-start is made for suppressing the inrush current to an acceptable value at the beginning of power-on. The ELP3322 provides a built-in soft-start function by clamping the output voltage of error amplifier so that the duty cycle of the PWM will be increased gradually in the soft-start period.

Current Limiting

The current flow through inductor as charging period is detected by a current sensing circuit. As the value comes across the current limiting threshold, the N-MOSFET will be turned off so that the inductor will be forced to leave charging stage and enter discharging stage. Therefore, the inductor current will not increase over the current limiting threshold.

OVP/UVLO/OTP

The Over Voltage Protection is detected by a junction breakdown detecting circuit. Once VOUT goes over the detecting voltage, LX pin stops switching and the power N-MOSFET will be turned off. Then, the VOUT will be clamped to be near VOVP. As the output voltage is higher than a specified value or input voltage is lower than a specified value, the chip will enter protection mode to prevent abnormal function. As the die temperature is higher than 150°C, the chip also will enter protection mode. The power MOSFET will be turned off during protection mode to prevent abnormal operation.

Inductor Selection

The recommended value of inductor for 2 to 8WLEDs applications are 4.7 to 22μH. Small size and better efficiency are the major concerns for portable device, such as ELP3322 used for mobile phone. The inductor should have low core loss at 1.0MHz and low DCR for better efficiency. To avoid inductor saturation current rating should be considered.

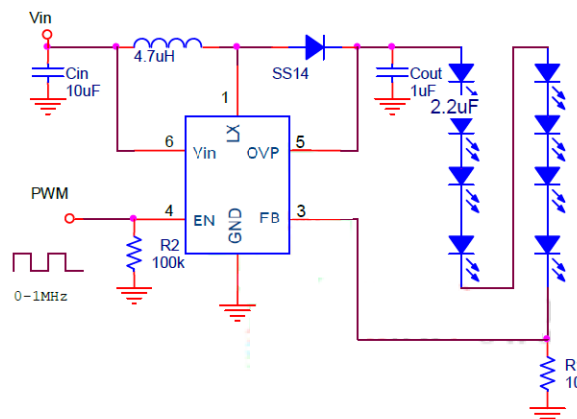
Capacitor Selection

Input ceramic capacitor of 2.2μF and output ceramic capacitor of 1μF are recommended for the ELP3322 applications for driving 8 series WLEDs. For better voltage filtering, ceramic capacitors with low ESR are recommended. X5R and X7R types are suitable because of their wider voltage and temperature ranges.

Dimming control

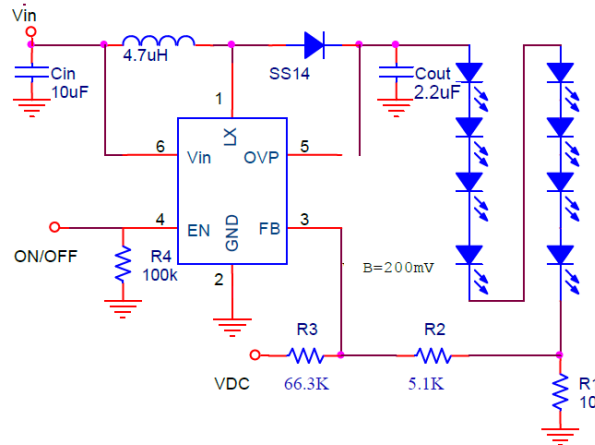
a. Using a PWM Signal to EN Pin

For controlling the LED brightness, the ELP3322 can perform the dimming control by applying a PWM signal to EN pin. The internal soft-start and wide range dimming frequency from 100Hz to 100KHz can insignificantly reduce audio noise when dimming. The average LED current is proportional to the PWM signal duty cycle. The magnitude of the PWM signal should be higher than the maximum enable voltage of EN pin, in order to let the dimming control perform correctly.



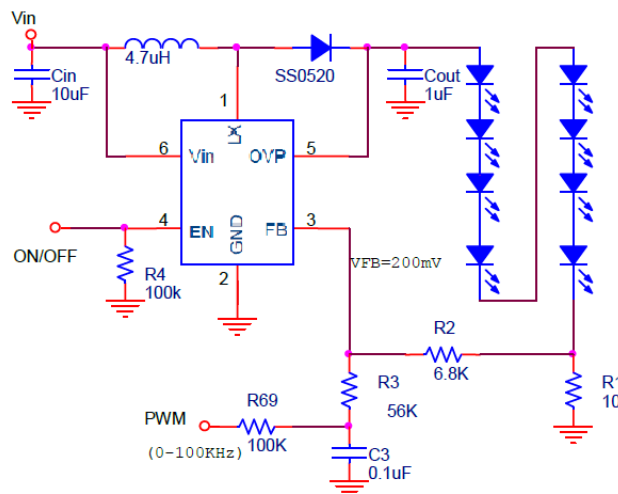
b. Using a DC Voltage

Using a variable DC voltage to adjust the brightness is a popular method in some applications. The dimming control using a DC voltage circuit is shown in below. According to the Superposition Theorem, as the DC voltage increases, the voltage contributed to VFB increases and the voltage drop on R2 decreases, i.e. the LED current decreases. For example, if the VDC range is from 0V to 2.8V, the selection of resistors in below sets dimming control of LED current from 20mA to 0mA.



c. Using a Filtered PWM signal

Another common application is using a filtered PWM signal as an adjustable DC voltage for LED dimming control. A filtered PWM signal acts as the DC voltage to regulate the output current. The suggested application circuit is shown in the below. In this circuit, the output ripple depends on the frequency of PWM signal. For smaller output voltage ripple (<100mV), the recommended frequency of PWM signal should be above 2kHz. To fix the frequency of PWM signal and change the duty cycle of PWM signal can get different output current. According to the application circuit of below, output current is from 20.5mA to 5.5mA by adjusting the PWM duty cycle from 10% to 90%.



Layout Consideration

For best performance of the ELP3322, the following guidelines must be strictly followed.

- ※ Input and Output capacitors should be placed close to the IC and connected to ground plane to reduce noise coupling.
- ※ The GND and Exposed Pad should be connected to a strong ground plane for heat sinking and noise protection.
- ※ Keep the main current traces as possible as short and wide.
- ※ LX node of DC-DC converter is with high frequency voltage swing. It should be kept at a small area.
- ※ Place the feedback components as close as possible to the IC and keep away from the noisy

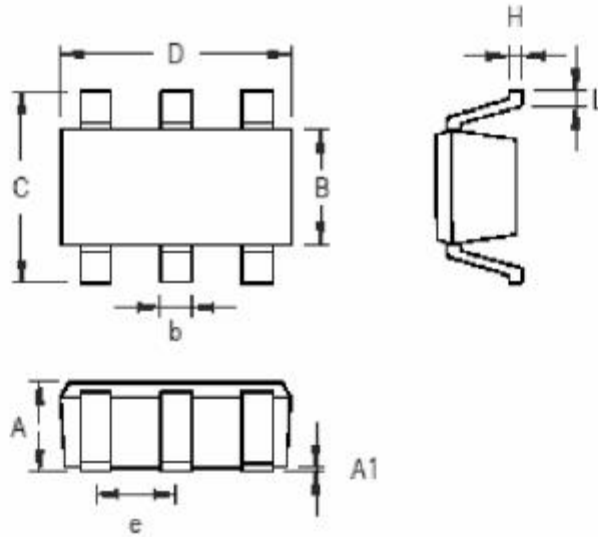
Thermal Considerations

For continuous operation, do not exceed absolute maximum operation junction temperature. The maximum power dissipation depends on the thermal resistance of IC package, PCB layout, the rate of surroundings airflow and temperature difference between junction to ambient. The maximum power dissipation can be calculated by following formula :

$$PD(MAX) = (TJ(MAX) - TA) / \theta JA$$

Package Information

SOT23-6



Symbol	Dimensions In Millimeters		Dimensions In Inches	
	Min	Max	Min	Max
A	0.889	1.295	0.031	0.051
A1	0.000	0.152	0.000	0.006
B	1.397	1.803	0.055	0.071
b	0.250	0.560	0.010	0.022
C	2.591	2.997	0.102	0.118
D	2.692	3.099	0.106	0.122
e	0.838	1.041	0.033	0.041
H	0.080	0.254	0.003	0.010
L	0.300	0.610	0.012	0.024

SOT-23-6 Surface Mount Package