



EC4230

Offline Inductor-less AC Linear Regulator

Sales & PM

2019/4/21

CONFIDENTIAL

Overview



ECMOS is founded in 1987 by combining the initial of:

Ever-innovative technology

Continuous-improvement

Management totalization

Outstanding quality

Satisfaction commitment.

It provides Analog Solution for application of Telecommunication, Computing, Commercial Industry, Consumer electronics, Power Management and Lighting.



EC4230



EC4230 is a compact, inductor-less, offline linear regulator. It steps down the AC line voltage to 5V. It is a simple solution to provide a bias voltage in offline applications.

Universal Input Range: 80~305VAC

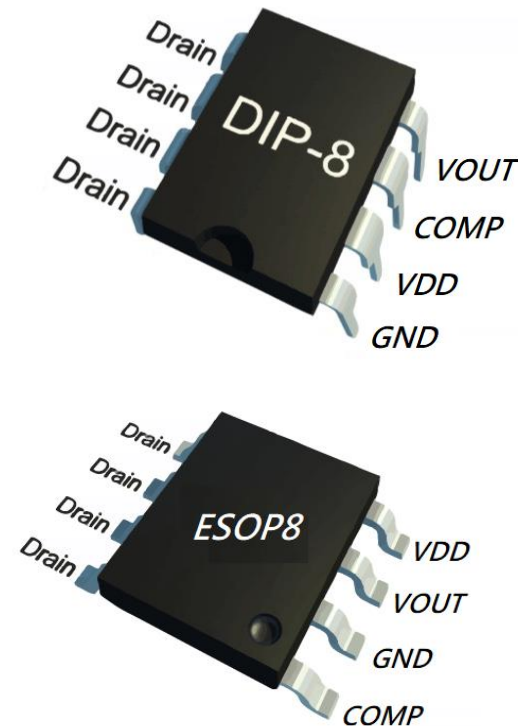
No Inductor Required

No Bulk Capacitor Required

Less Components and Low Cost

Fast Start Up Time

On Chip Thermal Shutdown(OTP)

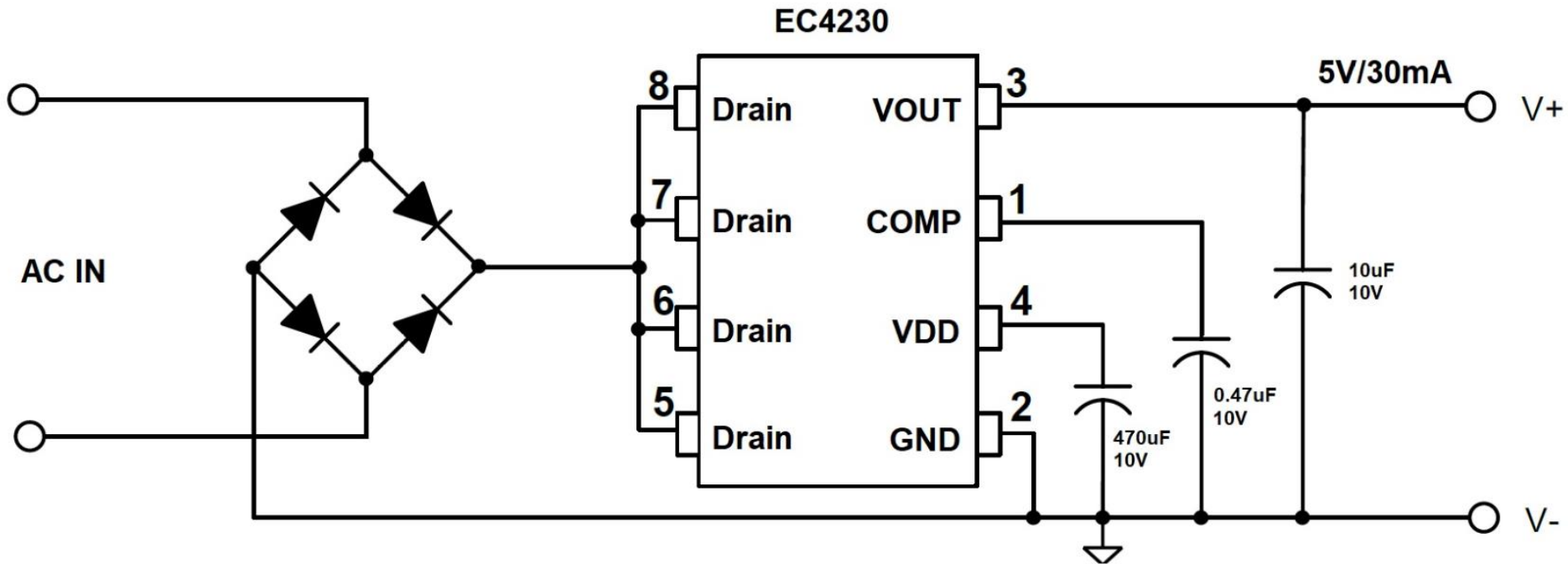


Pin Configuration/Package

EC4230



Typical Application Circuit



EC4230's Applications



Home Appliance

Wall Switches/Dimmer



Support



新竹總部：新竹市工業科學園區研新二路1號
電話:886-3-5785888 傳真:886-3-5783631
Ruby Lin Cell phone: 0955-080-729
E-mail: rubylin@ecmos.com.tw

內湖辦公室：台北市內湖區瑞光路478巷18弄32號7樓
電話:886-2-77210603
Vincent Tang Cell phone: 0916-857-635
E-mail: vincent_tang@ecmos.com.tw

深圳辦公室地址：深圳市龍華新區龍勝西路88號佳利大廈513室
电话：86-755-26758986 传真：86-755-82720789
Phill Huang Cell phone: 13537786536
E-mail: phill_huang@ecmos.com.tw