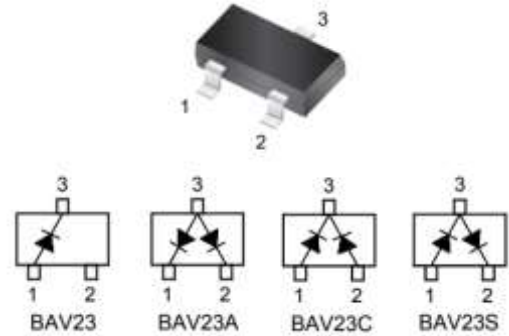


Features

- Fast Switching Speed
- For General Purpose Switching Applications
- High Conductance

Mechanical Data

- **Case:** SOT-23 (plastic package).
Lead free; RoHS compliant; Halogen-free
- **Molding Compound Flammability Rating:**
UL 94 V-0
- **Terminals:**
High temperature soldering guaranteed:
260 °C/10 sec. at terminals



Applications

- Single Switch
- Polarity Protection

Absolute Maximum Ratings

Ratings at 25 °C, ambient temperature unless otherwise specified

Parameter	Symbol	Limits	Unit
Peak Repetitive Peak reverse voltage Working Peak Reverse Voltage	V_{RRM} V_{RWM}	250	V
RMS Reverse Voltage	V_R	200	V
Average Rectified Output Current	I_O	200	mA
Non-repetitive Peak Forward Surge Current @ t=8.3ms	I_{FSM}	3	A
Power Dissipation	P_d	350	mW
Thermal resistance, junction to ambient air	$R_{\theta JA}$	357	°C/W
Operating and Storage temperature	T_j, T_{STG}	-65-150	°C

Electrical Characteristics

($T_A = 25\text{ °C}$ unless otherwise specified)

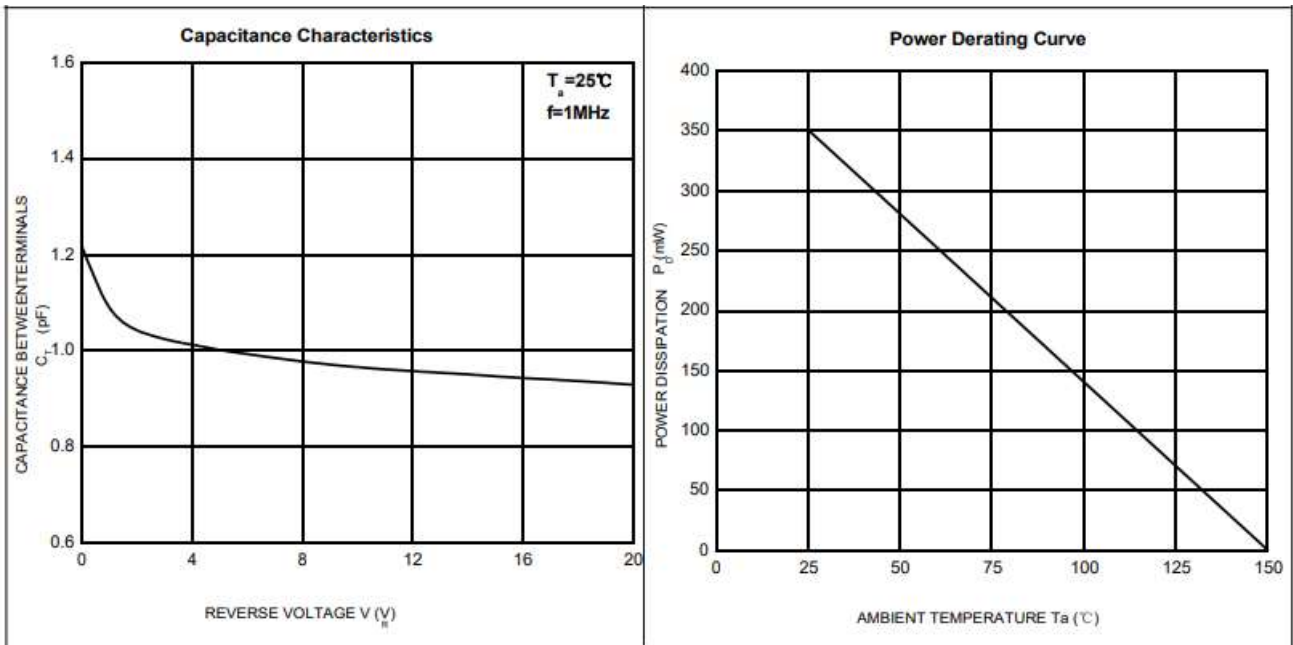
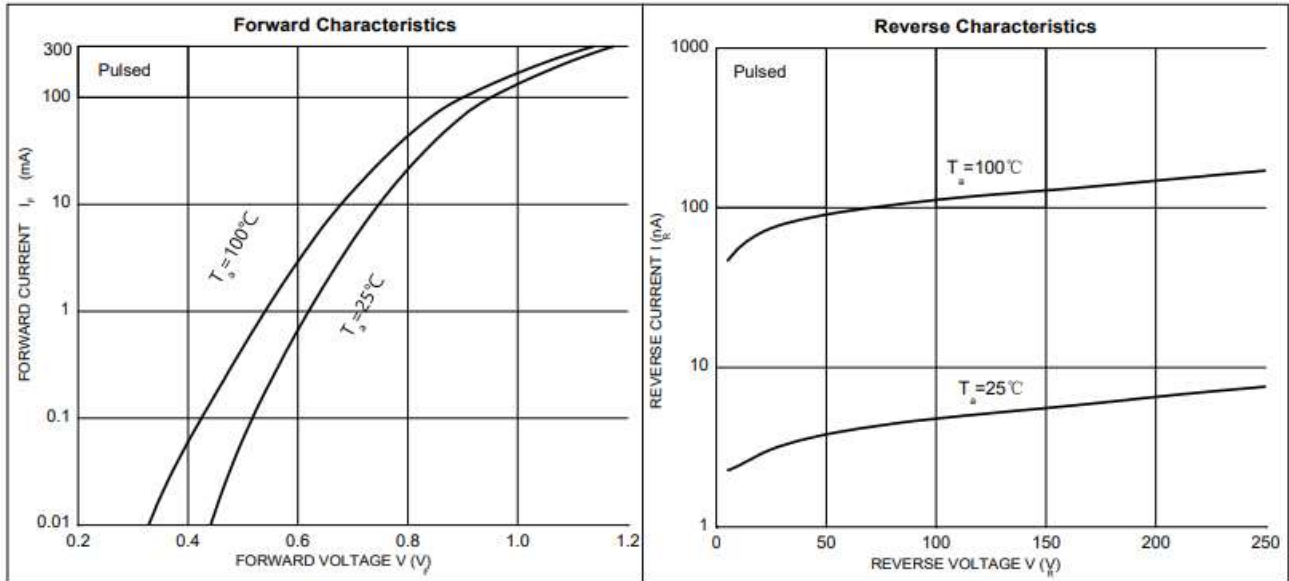
Parameter	Symbol	Test conditions	Min	Max	Unit
Reverse breakdown voltage	$V_{(BR)}$	$I_R = 100\mu A$	250		V
Reverse voltage leakage current	I_R	$V_R = 200V$		0.1	μA
Forward voltage	V_F	$I_F = 100mA$ $I_F = 200mA$		1000 1250	mV
Diode capacitance	C_D	$V_R = 0V, f = 1MHz$		5	pF
Revers recovery time	t_{rr}	$I_F = I_R = 30mA, I_{rr} = 0.1 \times I_R, R_L = 100\Omega$		50	ns



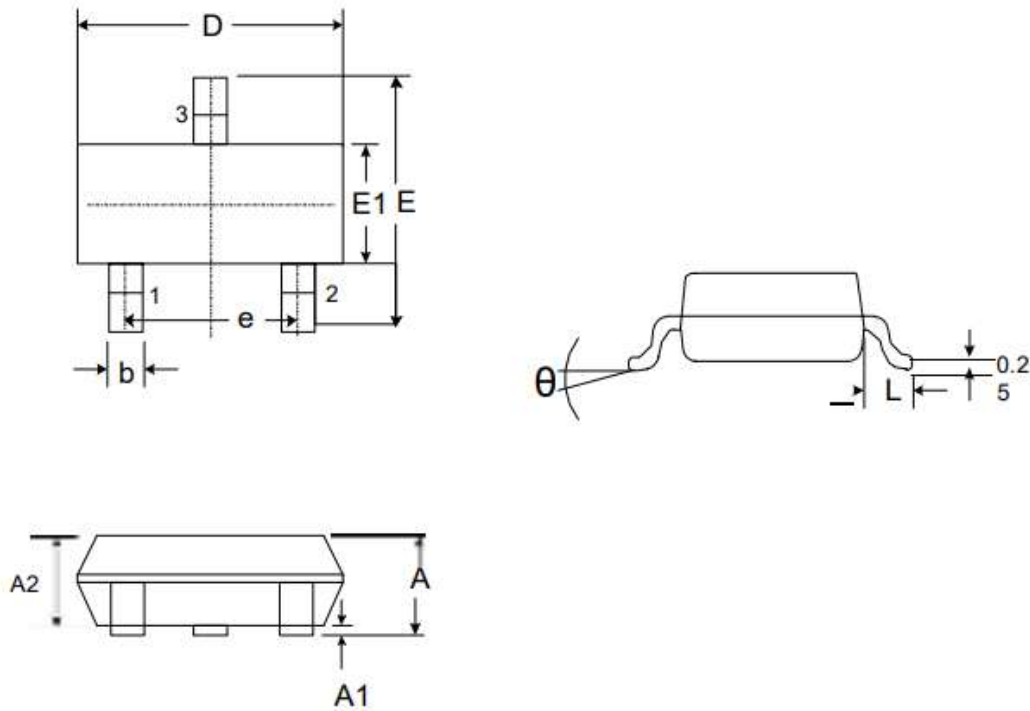
Dual Switching Diode in SOT-23

BAV23 Series

Typical Characteristics ($T_{amb} = 25^{\circ}\text{C}$ unless otherwise specified)

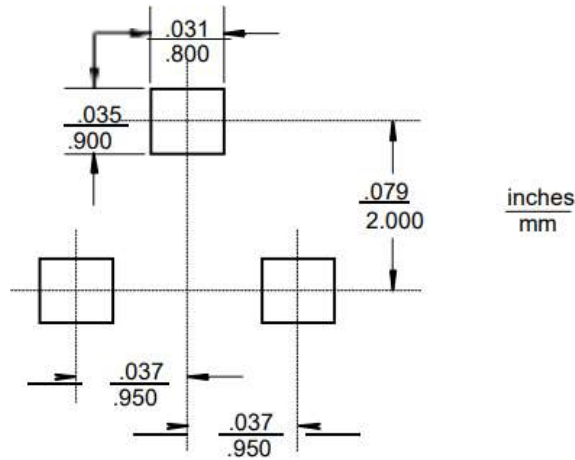


Package Dimensions

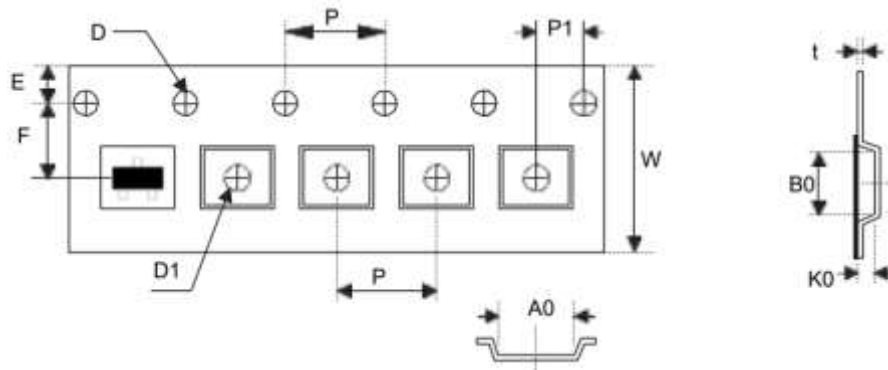


SYMBOL	DIMENSIONS			
	MILLIMETER		INCHES	
	MIN	MAX	MIN	MAX
A	0.89	1.12	0.035	0.044
A1	0.01	0.10	0.0006	0.0043
A2	0.88	1.02	0.035	0.040
D	2.80	3.04	0.110	0.120
E	2.10	2.64	0.082	0.104
E1	1.20	1.40	0.047	0.055
e	1.90BSC		0.75 BSC	
L	0.40	0.60	0.015	0.024
θ	0	8	0	8

PAD Dimensions



Package Information



Unit:mm

A0	B0	K0	D1	D	E	F	W	P	P1	t
3.15±0.10	2.77± 0.10	1.22±0.10	0.95~1.10	1.50~1.60	1.75±0.10	3.50±0.05	7.90~8.3	4.00± 0.10	2.00± 0.05	0.22± 0.40

Ordering information

Order code	Package	Packaging option	Base quantity	Packaging specification
BAV23 Series	SOT-23	Tape and reel	3000pcs / reel	EIA STD RS-481