

General Description

The EC5756 is a single supply, low power CMOS operational amplifier; these amplifiers offer bandwidth of 250kHz, rail-to-rail inputs and outputs, and single-supply operation from 2.2V to 5.5V. Typical low quiescent supply current of 14 μ A in dual operational amplifiers within one chip and very low input bias current of 10pA make the devices an ideal choice for low offset, low power consumption and high impedance applications. The EC5756 is available in SOP8 and MSOP8 packages.. The extended temperature range of -40 °C to +125°C over all supply voltages offers additional design flexibility.

Features

- Single-Supply Operation from +2.2V ~ +5.5V
- Rail-to-Rail Input / Output
- Gain-Bandwidth Product: 250kHz (Typ.)
- Low Input Bias Current: 10pA (Typ.)
- Low Offset Voltage: 5.5mV (Max.)
- Quiescent Current: 7 μ A per Amplifier (Typ.)
- Operating Temperature: -40°C ~ +125°C
- Available in SOP8 and MSOP8 Packages

Applications

- Portable Equipment
- Mobile Communications
- Smoke Detector
- Sensor Interface
- Handheld Test Equipment
- Medical Instrumentation
- Battery-Powered Instruments

Pin Assignments

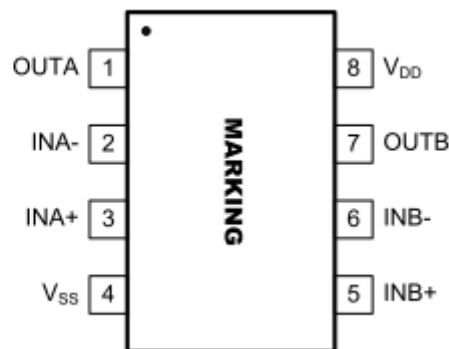
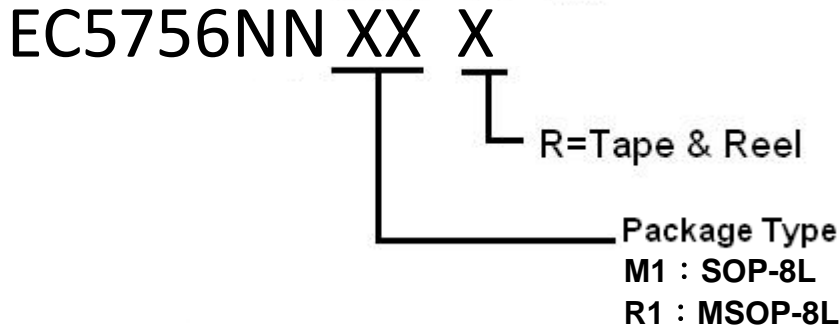


Figure 1. Pin Assignment Diagram (SOP8 and MSOP8 Package)



Ordering Information



Part Number	Package	Marking	Marking Information
EC5756NNM1R	SOP-8L	EC5756 LLLLL YYWWT	<ol style="list-style-type: none"> 1. LLLLL : Last five Number of Lot No 2. YY : Year Code 3. WW : Week Code 4. T : Internal Tracking Code
EC5756NNR1R	MSOP-8L	EC5756 LLLLL YYWWT	<ol style="list-style-type: none"> 1. LLLLL : Last five Number of Lot No 2. YY : Year Code 3. WW : Week Code 4. T : Internal Tracking Code

Application Information

Size

EC5756 series op amps are unity-gain stable and suitable for a wide range of general-purpose applications. The small footprints of the EC5756 series packages save space on printed circuit boards and enable the design of smaller electronic products.

Power Supply Bypassing and Board Layout

EC5756 series operates from a single 2.2V to 5.5V supply or dual $\pm 1.1V$ to $\pm 2.75V$ supplies. For best performance, a 0.1 μ F ceramic capacitor should be placed close to the V_{DD} pin in single supply operation. For dual supply operation, both V_{DD} and V_{SS} supplies should be bypassed to ground with separate 0.1 μ F ceramic capacitors.

Low Supply Current

The low supply current (typical 14 μ A) of EC5756 series will help to maximize battery life. They are ideal for battery powered Systems

Operating Voltage

EC5756 series operate under wide input supply voltage (2.2V to 5.5V). In addition, all temperature specifications apply from $-40^{\circ}C$ to $+125^{\circ}C$. Most behavior remains unchanged throughout the full operating voltage range. These guarantees ensure operation throughout the single Li-Ion battery lifetime.

Rail-to-Rail Input

The input common-mode range of EC5756 series extends 100mV beyond the supply rails ($V_{SS}-0.1V$ to $V_{DD}+0.1V$). This is achieved by using complementary input stage. For normal operation, inputs should be limited to this range.

Rail-to-Rail Output

Rail-to-Rail output swing provides maximum possible dynamic range at the output. This is particularly important when operating in low supply voltages. The output voltage of EC5756 series can typically swing to less than 10mV from supply rail in light resistive loads ($>100k\Omega$), and 60mV of supply rail in moderate resistive loads (10k Ω).

Capacitive Load Tolerance

The EC5756 series can directly drive 250pF capacitive load in unity-gain without oscillation. Increasing the gain enhances the amplifier's ability to drive greater capacitive loads. In unity-gain configurations, the capacitive load drive can be improved by inserting an isolation resistor R_{ISO} in series with the capacitive load, as shown in Figure 2.

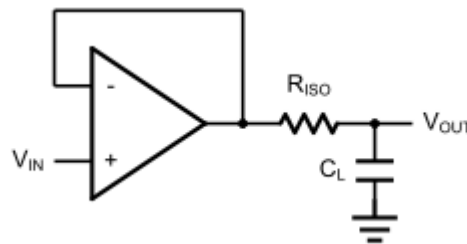


Figure 2. Indirectly Driving a Capacitive Load Using Isolation Resistor

The bigger the R_{ISO} resistor value, the more stable V_{OUT} will be. However, if there is a resistive load R_L in parallel with the capacitive load, a voltage divider (proportional to R_{ISO}/R_L) is formed, this will result in a gain error.

The circuit in Figure 3 is an improvement to the one in Figure 2. R_F provides the DC accuracy by feed-forward the V_{IN} to R_L . C_F and R_{ISO} serve to counteract the loss of phase margin by feeding the high frequency component of the output signal back to the amplifier's inverting input, thereby preserving the phase margin in the overall feedback loop. Capacitive drive can be increased by increasing the value of C_F . This in turn will slow down the pulse response.

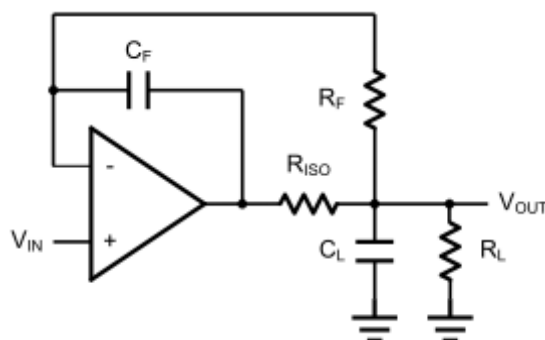


Figure 3. Indirectly Driving a Capacitive Load with DC Accuracy

Differential amplifier

The differential amplifier allows the subtraction of two input voltages or cancellation of a signal common the two inputs. It is useful as a computational amplifier in making a differential to single-end conversion or in rejecting a common mode signal. Figure 4. shown the differential amplifier using EC5756.

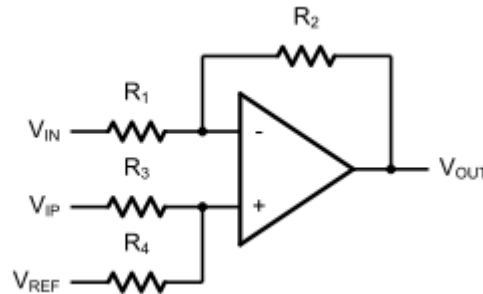


Figure 4. Differential Amplifier

$$V_{OUT} = \left(\frac{R_1+R_2}{R_3+R_4}\right) \frac{R_4}{R_1} V_{IN} - \frac{R_2}{R_1} V_{IP} + \left(\frac{R_1+R_2}{R_3+R_4}\right) \frac{R_3}{R_1} V_{REF}$$

If the resistor ratios are equal (i.e. R1=R3 and R2=R4), then

$$V_{OUT} = \frac{R_2}{R_1} (V_{IP} - V_{IN}) + V_{REF}$$

Instrumentation Amplifier

The input impedance of the previous differential amplifier is set by the resistors R1, R2, R3, and R4. To maintain the high input impedance, one can use a voltage follower in front of each input as shown in the following two instrumentation amplifiers.

Three-Op-Amp Instrumentation Amplifier

The triple EC5756 can be used to build a three-op-amp instrumentation amplifier as shown in Figure 5.

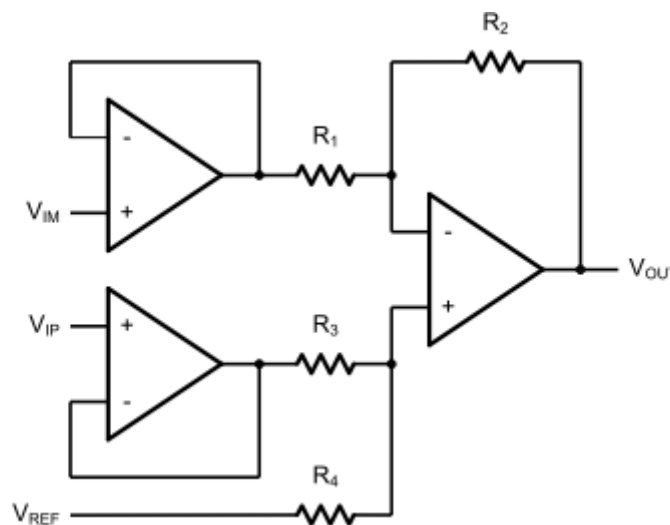


Figure 5. Three-Op-Amp Instrumentation Amplifier

The amplifier in Figure 5 is a high input impedance differential amplifier with gain of R_2/R_1 . The two differential voltage followers assure the high input impedance of the amplifier.

$$V_o = \left(1 + \frac{R_4}{R_3}\right)(V_{IP} - V_{IN})$$

Two-Op-Amp Instrumentation Amplifier

EC5756 can also be used to make a high input impedance two-op-amp instrumentation amplifier as shown in Figure 6.

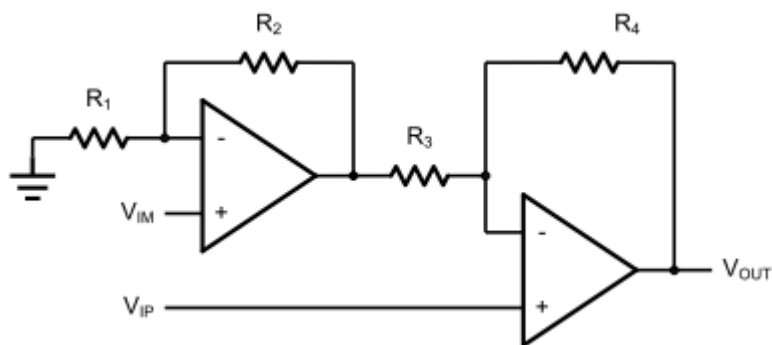


Figure 6. Two-Op-Amp Instrumentation Amplifier

Where $R_1=R_3$ and $R_2=R_4$. If all resistors are equal, then $V_o=2(V_{IP}-V_{IN})$

Single-Supply Inverting Amplifier

The inverting amplifier is shown in Figure 6. The capacitor C_1 is used to block the DC signal going into the AC signal source V_{IN} . The value of R_1 and C_1 set the cut-off frequency to $f_c=1/(2\pi R_1 C_1)$. The DC gain is defined by $V_{OUT}=-R_2/R_1 V_{IN}$

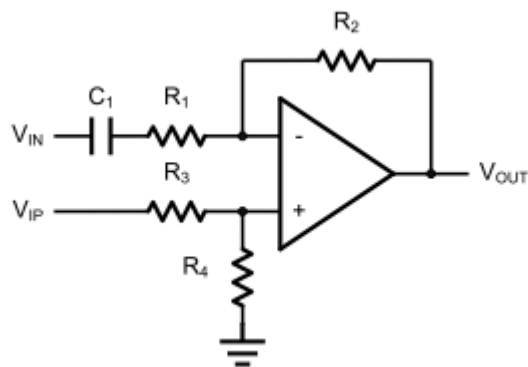


Figure 7. Single Supply Inverting Amplifier

Low Pass Active Filter

The low pass active filter is shown in Figure 8. The DC gain is defined by $-R_2/R_1$. The filter has a -20dB/decade roll-off after its corner frequency $f_c=1/(2\pi R_3 C_1)$.

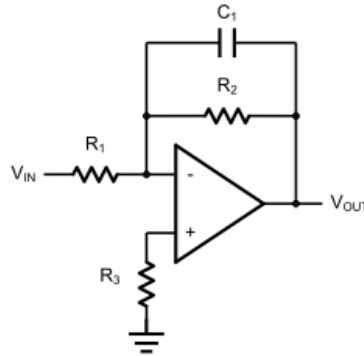


Figure 8. Low Pass Active Filter

Sallen-Key 2nd Order Active Low-Pass Filter

EC5756 can be used to form a 2nd order Sallen-Key active low-pass filter as shown in Figure 9. The transfer function from VIN to VOUT is given by

$$\frac{V_{OUT}}{V_{IN}}(S) = \frac{\frac{1}{C_1 C_2 R_1 R_2} A_{LP}}{S^2 + S \left(\frac{1}{C_1 R_1} + \frac{1}{C_1 R_2} + \frac{1}{C_2 R_2} \right) + \frac{1}{C_1 C_2 R_1 R_2}}$$

Where the DC gain is defined by $A_{LP}=1+R_3/R_4$, and the corner frequency is given by

$$\omega_C = \sqrt{\frac{1}{C_1 C_2 R_1 R_2}}$$

The pole quality factor is given by

$$\frac{\omega_C}{Q} = \frac{1}{C_1 R_1} + \frac{1}{C_1 R_2} + \frac{1}{C_2 R_2} - \frac{A_{LP}}{C_2 R_2}$$

Let $R_1=R_2=R$ and $C_1=C_2=C$, the corner frequency and the pole quality factor can be simplified as below

$$\omega_C = \frac{1}{CR}$$

And $Q=2-R_3/R_4$

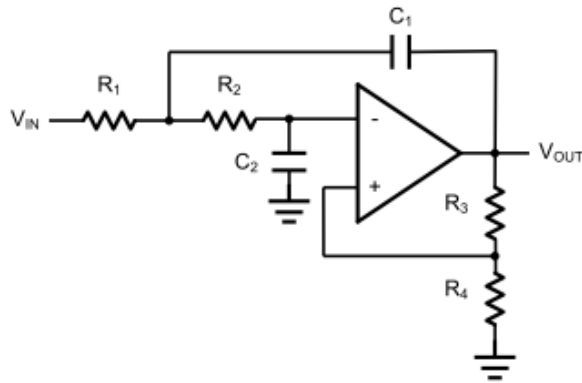


Figure 9. Sallen-Key 2nd Order Active Low-Pass Filter

Sallen-Key 2nd Order high-Pass Active Filter

The 2nd order Sallen-key high-pass filter can be built by simply interchanging those frequency selective components R1, R2, C1, and C2 as shown in Figure 10.

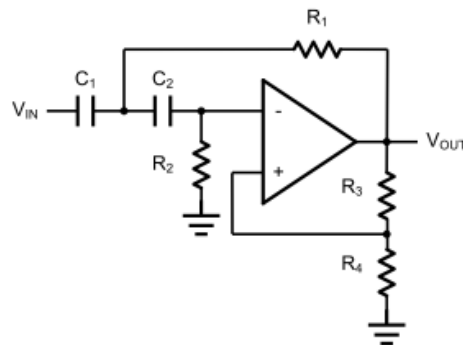


Figure 10. Sallen-Key 2nd Order Active High-Pass Filter

$$\frac{V_{OUT}}{V_{IN}}(S) = \frac{S^2 A_{HP}}{S^2 + S\left(\frac{1}{C_1 R_1} + \frac{1}{C_2 R_2} + \frac{1 - A_{HP}}{C_1 R_1}\right) + \frac{1}{C_1 C_2 R_1 R_2}}$$

Where $A_{HP} = 1 + R_3/R_4$



Electrical Characteristics

Absolute Maximum Ratings

Condition	Min	Max
Power Supply Voltage (V_{DD} to V_{SS})	-0.5V	+7V
Analog Input Voltage ($IN+$ or $IN-$)	$V_{SS}-0.5V$	$V_{DD}+0.5V$
PDB Input Voltage	$V_{SS}-0.5V$	+7V
Operating Temperature Range	-40°C	+125°C
Junction Temperature	+150°C	
Storage Temperature Range	-65°C	+150°C
Lead Temperature (soldering, 10sec)	+300°C	
Package Thermal Resistance ($T_A=+25^\circ C$)		
SOP8, θ_{JA}	130°C	
MSOP8, θ_{JA}	210°C	

Note: Stress greater than those listed under Absolute Maximum Ratings may cause permanent damage to the device. This is a stress rating only and functional operation of the device at these or any other conditions outside those indicated in the operational sections of this specification are not implied. Exposure to absolute maximum rating conditions for extended periods may affect reliability.



Electrical Characteristics

(V_{DD} = +5V, V_{SS} = 0V, V_{CM} = 0V, V_{OUT} = V_{DD}/2, R_L=100K tied to V_{DD}/2, SHDNB = V_{DD}, T_A = -40°C to +125°C, unless otherwise noted. Typical values are at T_A = +25°C.) (Notes 1)

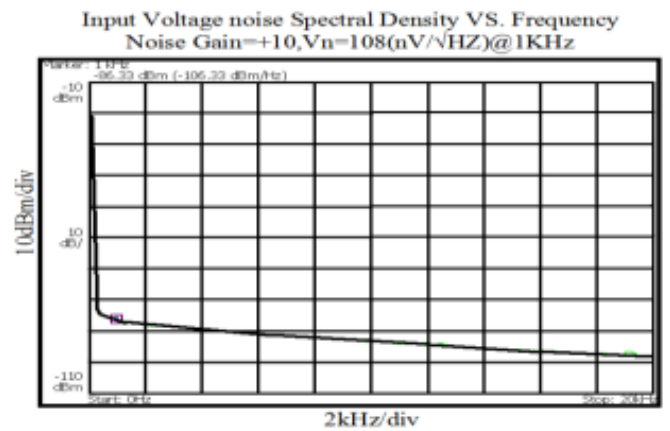
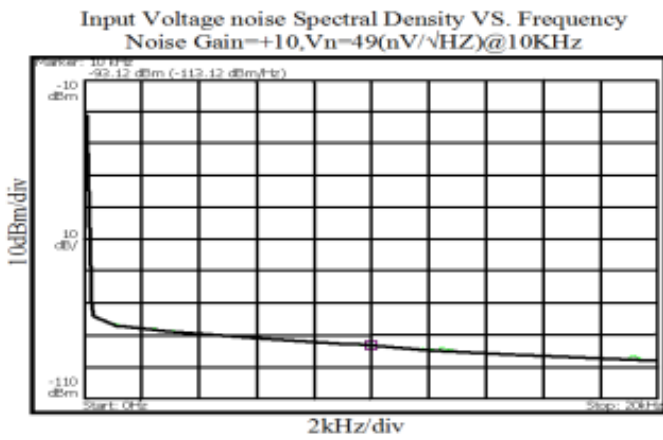
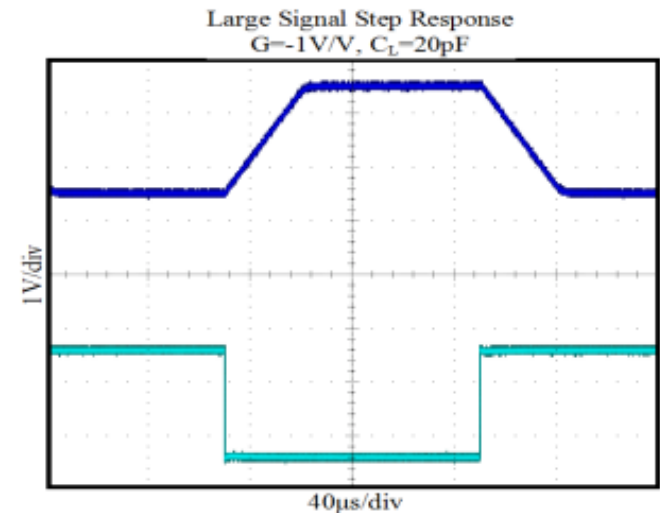
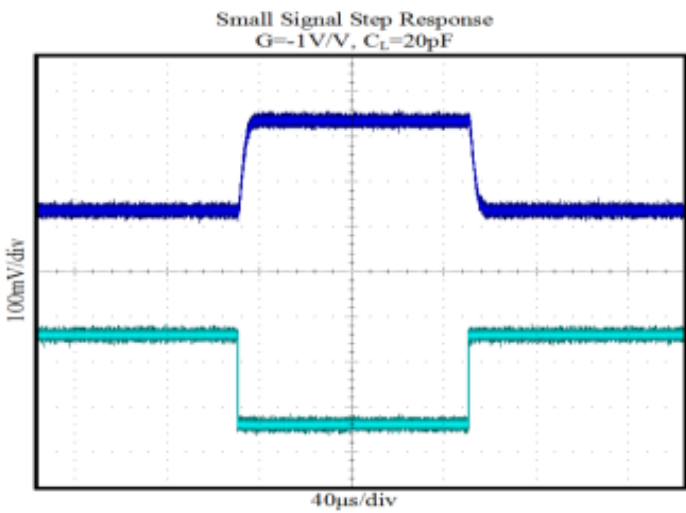
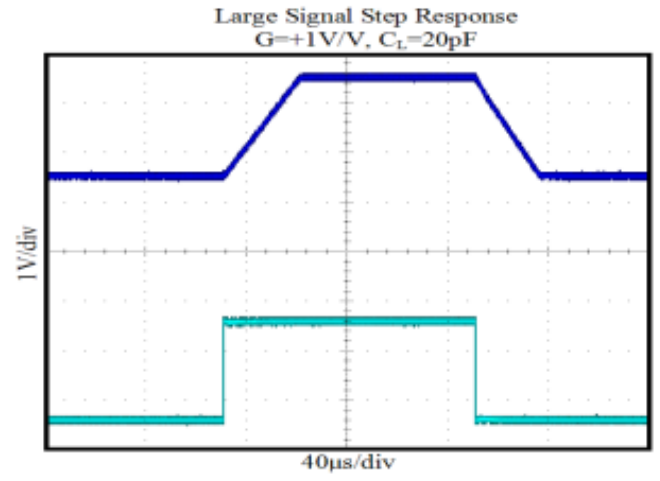
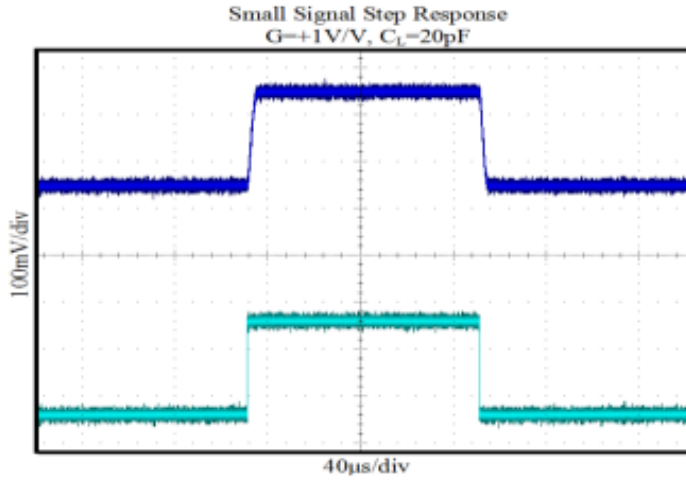
Parameter	Symbol	Conditions	Min.	Typ.	Max.	Units
Supply-Voltage Range	V _{DD}	Guaranteed by the PSRR test	2.2	-	5.5	V
Quiescent Supply Current (per Amplifier)		V _{DD} = 5V	-	7	10	μ A
Input Offset Voltage	V _{OS}		-	1	\pm 5.5	mV
Input Offset Voltage Tempco	Δ V _{OS} / Δ T		-	3	-	μ V/°C
Input Bias Current	I _B	(Note 2)	-	10	-	pA
Input Offset Current	I _{OS}	(Note 2)	-	10	-	pA
Input Common-Mode Voltage Range	V _{CM}		-0.1	-	V _{DD} +0.1	V
Common-Mode Rejection Ratio	CMRR	V _{DD} =5.5 V _{SS} -0.1V \leq V _{CM} \leq V _{DD} +0.1V	55	65	-	dB
		V _{SS} \leq V _{CM} \leq 5V	60	70	-	dB
Power-Supply Rejection Ratio	PSRR	V _{DD} = +2.2V to +5.5V	60	70	-	dB
Open-Loop Voltage Gain	A _V	V _{DD} =5V, R _L =100k Ω , 0.05V \leq V _O \leq 4.95V	85	92	-	dB
		V _{DD} =5V, R _L =5k Ω , 0.05V \leq V _O \leq 4.95V	75	82	-	dB
Output Voltage Swing	V _{OUT}	V _{IN+} -V _{IN-} \geq 10mV V _{DD} -V _{OH}	-	10	-	mV
		R _L = 100k Ω to V _{DD} /2 V _{OL} -V _{SS}	-	10	-	mV
		V _{IN+} -V _{IN-} \geq 10mV V _{DD} -V _{OH}	-	100	-	mV
		R _L = 5k Ω to V _{DD} /2 V _{OL} -V _{SS}	-	100	-	mV
Output Short-Circuit Current	I _{SC}	Sinking or Sourcing	-15	-	+20	mA
Gain Bandwidth Product	GBW	A _V = +1V/V	-	250	-	kHz
Slew Rate	SR	A _V = +1V/V	-	0.15	-	V/ μ s
Settling Time	t _s	To 0.1%, V _{OUT} = 2V step A _V = +1V/V	-	15	-	μ s
Over Load Recovery Time		V _{IN} \times Gain=V _s	-	6	-	μ s
Input Voltage Noise Density	e _n	f = 1kHz	-	110	-	nV/ \sqrt Hz

Note 1: All devices are 100% production tested at T_A = +25°C; all specifications over the automotive temperature range is guaranteed by design, not production tested.

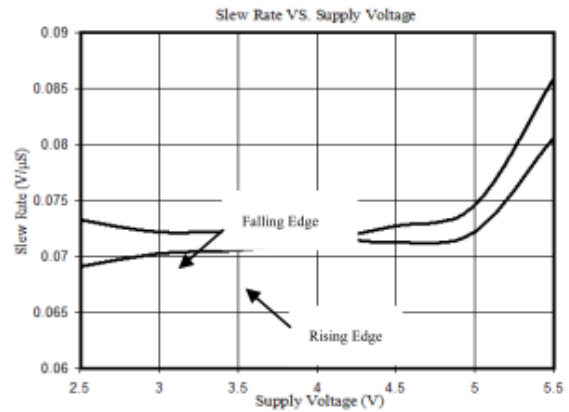
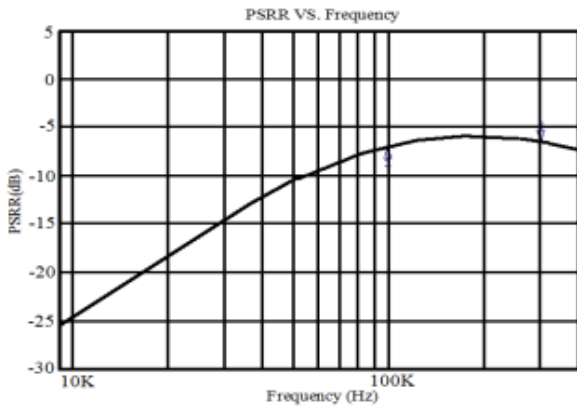
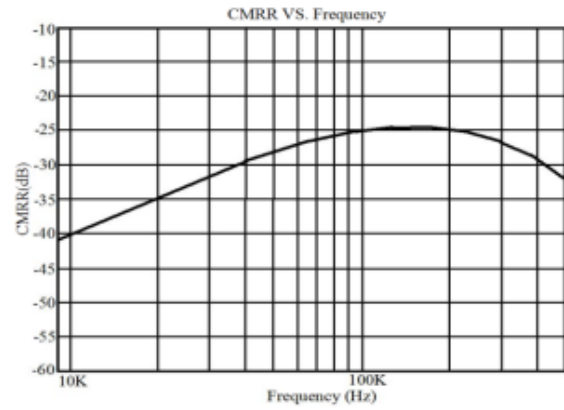
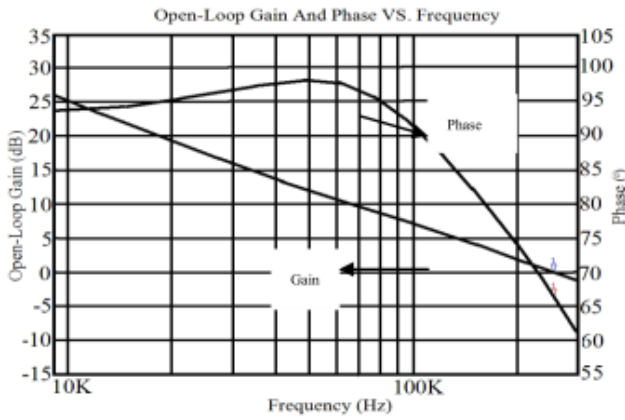
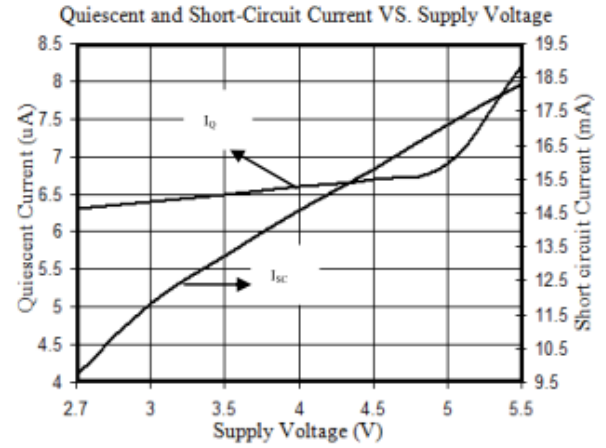
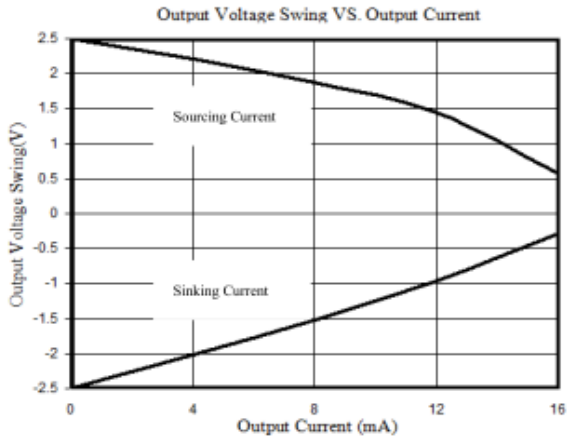
Note 2: Parameter is guaranteed by design.

Typical characteristics

At TA=+25°C, RL=100 k Ω connected to Vs/2 and VOUT= Vs/2, unless otherwise noted.

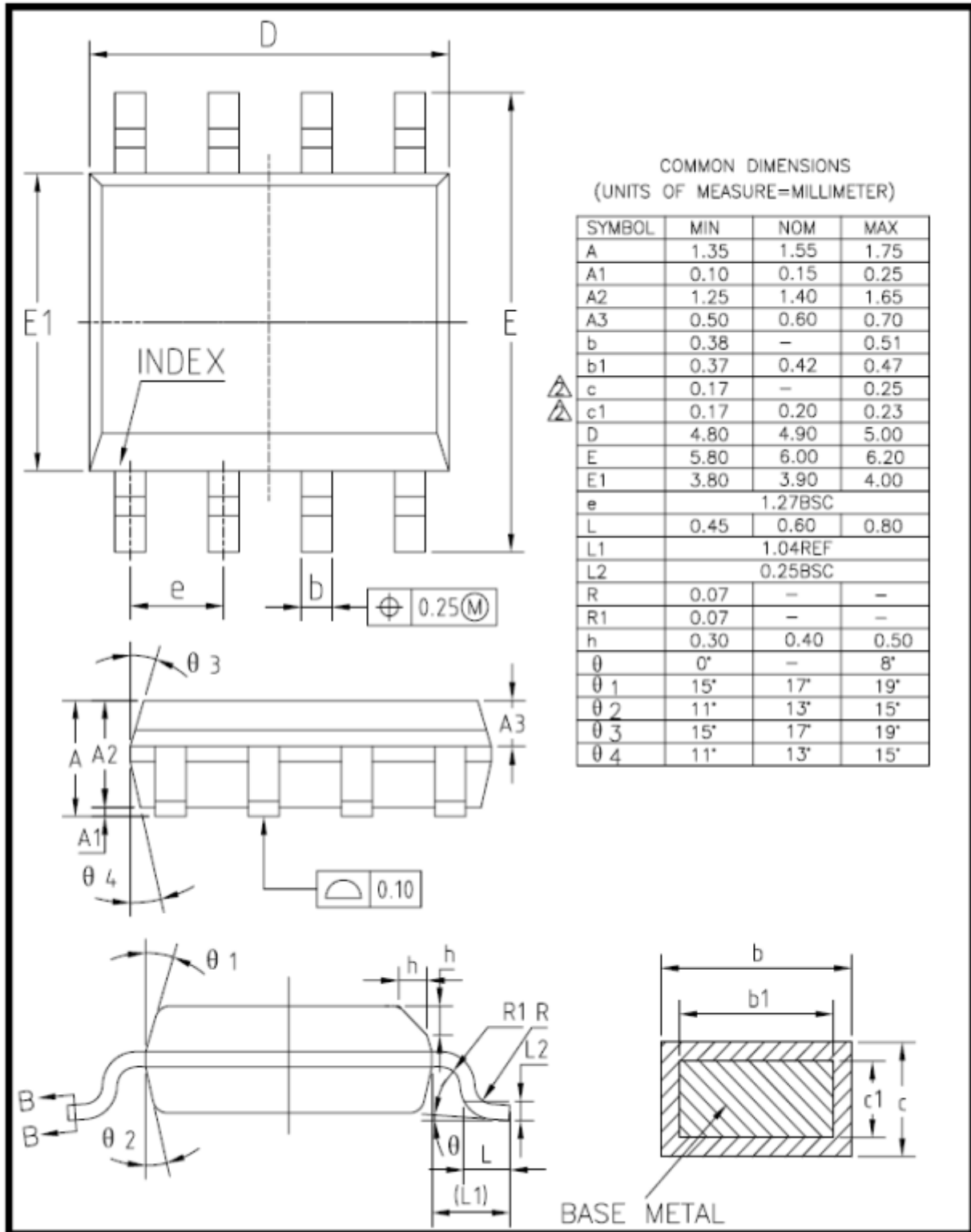


At TA=+25°C, RL=100 k Ω connected to Vs/2 and VOUT= Vs/2, unless otherwise noted.



Package Information

SOP8



MSOP8

